

EXPLANATION OF ABBREVIATIONS IN CATALOGUE

VERDUIDELIKING VAN AFKORTINGS IN KATALOGUS

Calf traits	DIRECT CALF TRAITS	DIREKTE KALF EIENSKAPPE	Kalf eienskappe
Daughter traits	DAUGHTER TRAITS	DOGTER EIENSKAPPE	Dogter eienskappe
Growth traits	GROWTH	GROEI	Groei eienskappe
Efficiency traits	EFF	DOEL	Doeltreffendheids eienskappe
Reproduction traits	REPRODUCTION	REPRODUKSIE	Reproduksie eienskappe
Body measurements	MEASURE	MATES	Liggaamsmates
Lot number	Lot	Lot	Lotnommer
Ratio	R:	V:	Verhouding
Identification number	ID	ID	Identifikasienommer
Generation/Section of Herdbook	Gen	Gen	Generasie/Afdeling van kuddeboek
Weight in kilogram	Wgt kg	Gew kg	Gewig in kilogram
Index	Ind	Ind	Indeks
Accuracy of breeding value	Acc	Akk	Akkuraatheid van teelwaarde
Birth direct (kg)	Birth Dir	Geb Dir	Geboorte direk (kg)
Birth maternal (kg)	Birth Mat	Geb Mat	Geboorte maternaal (kg)
Wean direct (kg)	Wean Dir	Speen Dir	Speen direk (kg)
Wean maternal (kg)	Wean Mat	Speen Mat	Speen maternaal (kg)
Mature weight (kg)	Mature Wgt	Volw Gew	Volwasse gewig (kg)
365 Days (kg)	365d	365d	365 Dae (kg)
540 Days (kg)	540d	540d	540 Dae (kg)
Average daily gain (g/day)	ADG	GDT	Gemiddelde daaglikse toename (g/dag)
Feed conversion ratio	FCR	VOV	Voeromsetverhouding
Scrotal circumference (mm)	SC	SO	Skrotum omvang (mm)
Age First Calving	AFC	OEK	Ouderdom Eerste Kalwing
Inter Calving Period	ICP	TKP	Tussen Kalf Periode
Height (mm)	Hgt	Hgt	Hoogte (mm)
Length (mm)	Lgt	Lgt	Lengte (mm)
Length : Height ratio	LHR	HLV	Lengte : Hoogte verhouding
Birth weight : Cow weight ratio	BWR	GGV	Geboortegewig : Koeigewig verhouding
Wean weight : Cow weight ratio	WWR	SGV	Speengewig : Koeigewig verhouding
Age in years and months / Number of calvings	Age / Calv	Oud / Kalw	Ouderdom in jare en maande / Aantal kalwings
Average Wean index / Number of calves	Ave WI / Calf	Gem SI / Kalf	Gemiddelde Speenindeks / Aantal kalwers
Reproduction index	R.I.	R.I.	Reproduksie Indeks
Polled	Polled	Poena	Poena
Post Wean 365 days & Post Wean 540 days	PW365 & PW540	NS365 & NS540	Naspeen 365 dae & Naspeen 540 dae
Growth test & Growth test group	GT & GTg	GT & GTg	Groei Toets & Groeitoets groep
Central test	CT	ST	Sentrale toets
Ouerskap Verifikasie	OV	PV	Parentage Verification
Genomies Getoets	GT	GT	Genomically Tested
Homosigoties Poena (Celtic Toets)	PP(c)	PP(c)	Homozygous Polled (Celtic Test)
Heterosigoties Poena (Celtic Toets)	Pp(c)	Pp(c)	Heterozygous Polled (Celtic Test)
Beide Ouers Geverifieer	PV	PV	Both Parents Verified
Sire Geverifieer	SV	SV	Sire Verified
Dam Geverifieer	DV	DV	Dam Verified

FEMALE ANIMALS

Lot	Seller	ID POLLED Gen	PARENTS		Test	Breeding Value Indexes											LHR BWR WWR	Breeder Own Remarks
			SIRE GV PV	DAM GV PV		Genomic Tested	Birth Dir	Wean Dir	Birth Mat	Wean Mat	Mat Wgt	Post Wean	ADG	FCR	SC	Hgt		
			DNA	Acc	Acc	Acc	Acc	Acc	Acc	Acc	Acc	Acc	Acc	Acc	Acc	Acc		

Open Heifers


35 A	EHLERSKROON (EDMS) BPK	SEP 170008 SP	SEP 090086	PW540	104	106	93	94	103	106	109	101	123	127	117	-	
					0.68	16.0	0.09	1.8	13.0	25.6	134	-48	27.6	24	37	-	
			SEP 140015	23.08.17	29	214	101			-	93						47.6
35 B	EHLERSKROON (EDMS) BPK	SEP 170166 SP	SEP 130007	PW365	105	101	103	109	112	106	115	106	102	132	120	-	
					0.63	13.8	-0.37	6.0	23.0	25.8	164	-59	11.1	28	41	-	
			SEP 070064	18.11.17	31	212	97			96	-						35.2
35 C	EHLERSKROON (EDMS) BPK	SEP 170030 SP	SEP 130042	PW540	99	106	101	105	96	105	109	101	102	111	113	-	
					1.25	16.1	-0.26	4.9	5.0	25.3	135	-49	11.3	11	31	-	
			SEP 140035	12.09.17	33	215	100			-	93						50.9
36 A	EHLERSKROON (EDMS) BPK	SEP 170081 SP	SEP 090086	PW540	92	110	91	98	105	109	108	107	120	125	115	-	
					1.90	17.9	0.20	3.1	15.0	27.6	129	-60	25.2	22	34	-	
			SEP 040021	01.10.17	36	227	100			-	100						40.1
36 B	EHLERSKROON (EDMS) BPK	SEP 170054 SP	SEP 120157	PW540	108	83	103	122	90	79	81	88	102	85	93	-	
					0.30	5.9	-0.35	9.5	-1.0	7.3	7	-22	10.8	-10	4	-	
			SEP 090083	22.09.17	36	224	98			-	95						41
36 C	EHLERSKROON (EDMS) BPK	SEP 170095 SP	SEP 120135	PW540	104	98	104	112	94	108	111	96	97	117	117	-	
					0.68	12.7	-0.39	6.9	3.0	26.8	145	-39	6.6	15	36	-	
			SEP 130043	06.10.17	31	215	96			-	90						43.5

1.10	13.5	-0.23	3.5	10	21.7	94	-46	9.3	2	14
------	------	-------	-----	----	------	----	-----	-----	---	----

Lot 35A

SEP 170008
SPN Mat. 94

SEP 090086
SPN Mat. 94



SEP 140015
SPN Mat. 97
Age/Calv. 4/2
Avg. WI/Calf 101/2

AFC 36
ICP 406
RI 96

LAR 010315
SPN Mat. 92

Elite-Gold

SEP 050011
SPN Mat. 110
Age/Calv. 13/11
Avg. WI/Calf 103/10

AFC 37
ICP 368

SEP 110082
SPN Mat. 111

SEP 110057
SPN Mat. 82
Age/Calv. 5/3
Avg. WI/Calf 89/3


AFC 35
ICP 395

RCO 980039
SPN Mat. 65
LAR 960272
SPN Mat. 95
DNT 960048
SPN Mat. 101
SEP 020028
SPN Mat. 98
HJB 040215
SPN Mat. 104
SEP 050098
SPN Mat. 127
SEP 070018
SPN Mat. 91
SEP 070051
SPN Mat. 94

Lot 35B

SEP 170166
SPN Mat. 109

SEP 130007
SPN Mat. 116



SEP 070064
SPN Mat. 106
Age/Calv. 11/9
Avg. WI/Calf 100/9

AFC 37
ICP 367
RI 110

SEP 060053
SPN Mat. 95

SEP 100014
SPN Mat. 139
Age/Calv. 8/5
Avg. WI/Calf 114/5

AFC 36
ICP 468

HJB 040052
SPN Mat. 94

Elite-Silver

SEP 020027
SPN Mat. 119
Age/Calv. 11/9
Avg. WI/Calf 104/8


AFC 33
ICP 380

DNT 960048
SPN Mat. 101
SEP 020030
SPN Mat. 114
HJB 040215
SPN Mat. 104
SEP 070073
SPN Mat. 120
RCO 010162
SPN Mat. 72
HJB 010824
SPN Mat. 122
SEP 940121
SPN Mat. 120
SEP 980020
SPN Mat. 95

Lot 35C

SEP 170030
SPN Mat. 105

SEP 130042
SPN Mat. 114



SEP 140035
SPN Mat. 96
Age/Calv. 4/2
Avg. WI/Calf 100/1

AFC 36
ICP 414
RI 96

HJB 040215
SPN Mat. 104

Elite-Gold

SEP 050098
SPN Mat. 127
Age/Calv. 13/11
Avg. WI/Calf 102/11

AFC 34
ICP 371

SEP 100085
SPN Mat. 90

Elite-Bronze

SEP 080128
SPN Mat. 107
Age/Calv. 10/8
Avg. WI/Calf 103/6


AFC 34
ICP 369

TBR 910704
SPN Mat. 77
RCO 000061
SPN Mat. 98
SEP 010066
SPN Mat. 113
SEP 950167
SPN Mat. 123
JMP 050076
SPN Mat. 95
SEP 020030
SPN Mat. 114
LAR 010315
SPN Mat. 92
SEP 970025
SPN Mat. 117

Lot 36A

SEP 170081
SPN Mat. 98

SEP 090086
SPN Mat. 94



Elite-Gold

SEP 040021
SPN Mat. 103
Age/Calv. 13/11
Avg. WI/Calf 98/11

AFC 35
ICP 369
RI 111

LAR 010315
SPN Mat. 92

Elite-Gold

SEP 050011
SPN Mat. 110
Age/Calv. 13/11
Avg. WI/Calf 103/10

AFC 37
ICP 368

SEP 950056
SPN Mat. 110

Elite-Gold

SEP 010049
SPN Mat. 108
Age/Calv. 14/12
Avg. WI/Calf 104/11


AFC 36
ICP 370

RCO 980039
SPN Mat. 65
LAR 960272
SPN Mat. 95
DNT 960048
SPN Mat. 101
SEP 020028
SPN Mat. 98
SEP N 0098
SPN Mat. 95
FRY H 0010
SPN Mat. 104
SEP 950068
SPN Mat. 98
SEP 950185
SPN Mat. 113

Lot 36B

SEP 170054
SPN Mat. 122

SEP 120157
SPN Mat. 114



SEP 090083
SPN Mat. 127
Age/Calv. 9/7
Avg. WI/Calf 104/7

AFC 34
ICP 372
RI 109

HOT 070099
SPN Mat. 113
Bronze

SEP 040080
SPN Mat. 117
Age/Calv. 10/7
Avg. WI/Calf 104/7

AFC 35
ICP 433

HJB 040215
SPN Mat. 104

Elite-Gold

SEP 040069
SPN Mat. 119
Age/Calv. 13/11
Avg. WI/Calf 100/11


AFC 35
ICP 369

DB 000045
SPN Mat. 128
DB 010021
SPN Mat. 110
SEP 980025
SPN Mat. 104
SEP 960022
SPN Mat. 88
TBR 910704
SPN Mat. 77
RCO 000061
SPN Mat. 98
SEP 950056
SPN Mat. 110
SEP 980108
SPN Mat. 125

Lot 36C

SEP 170095
SPN Mat. 112

SEP 120135
SPN Mat. 106



SEP 130043
SPN Mat. 118
Age/Calv. 5/3
Avg. WI/Calf 100/3

AFC 35
ICP 389
RI 102

HJB 040215
SPN Mat. 104

SEP 080047
SPN Mat. 109
Age/Calv. 10/8
Avg. WI/Calf 102/8

AFC 36
ICP 370

SEP 090103
SPN Mat. 119

SEP 020030
SPN Mat. 114
Age/Calv. 13/11
Avg. WI/Calf 104/10

AFC 32
ICP 380

TBR 910704
SPN Mat. 77
RCO 000061
SPN Mat. 98
SEP 040112
SPN Mat. 94
SEP 040045
SPN Mat. 108
LAR 010315
SPN Mat. 92
SEP 050098
SPN Mat. 127
SEP 950056
SPN Mat. 110
SEP 950047
SPN Mat. 93


VROULIKE DIERE

Lot	Verkoper	ID	OUERS	Toets	Teelwaarde indekse												LHV	GGV	SGV	Gebruiker Eie Opmerkings	
					DIREKTE KALF EIENSKAPPE		DOGTER EIENSKAPPE			GROEI		DOEL	REP	MATES							V:
					Nageslag Geboortegewig	Nageslag Speengewig	Gemak van Kalwing	Melk prod.	Volwasse Gewig	Naspeengewig	Daaglikse Toename	Voeromset			Hoogte & Lengte						
VADER GV OV	Genomies Getoets	Geb Dir	Speen Dir	Geb Mat	Speen Mat	Volw Gew	Naspeen	GDT	VOV	SO	Hgt	Lgt									
MOEDER GV OV	DNS	Akk	Akk	Akk	Akk	Akk	Akk	Akk	Akk	Akk	Akk	Akk	Akk	Akk							
Gen	Geb. dat.	Gew kg	Gew kg	Ind	kg	kg	kg	365d Ind	540d Ind	Ind	Ind	(mm)	(mm)	(mm)							


Oop Verse

37 A	EHLERSKROON (EDMS) BPK	SEP 170161	SEP 090086	NS365	108	97	89	101	99	98	103	100	112	124	112	-	
					0.25	12.0	0.28	3.9	9.0	20.5	107	-46	18.5	21	31	-	
			SEP 080047	13.11.17	34	212	95		94	-							38.1
37 B	EHLERSKROON (EDMS) BPK	SEP 170062	SEP 110053	NS540	117	93	102	99	82	96	107	102	116	85	96	-	
					-0.69	10.3	-0.31	3.2	-10.0	18.6	127	-50	21.8	-10	8	-	
			SEP 070084	26.09.17	30	222	101		-	95							47.2
37 C	EHLERSKROON (EDMS) BPK	SEP 170086	SEP 110082	NS540	112	92	103	112	99	98	95	91	107	112	105	-	
					-0.18	10.1	-0.36	6.8	9.0	20.5	71	-28	14.8	12	20	-	
			SEP 130094	02.10.17	30	205	92		-	97							39.2
38 A	EHLERSKROON (EDMS) BPK	SEP 170085	SEP 120157	NS540	108	85	107	119	100	81	83	90	97	85	92	-	
					0.21	7.1	-0.55	8.9	10.0	8.5	15	-25	6.9	-10	3	-	
			SEP 130118	02.10.17	31	221	100		-	96							43.9
38 B	EHLERSKROON (EDMS) BPK	SEP 170112	SEP 120157	NS540	119	80	117	115	88	69	76	92	95	87	88	-	
					-0.85	4.6	-1.01	7.7	-3.0	0.8	-14	-29	5.3	-8	-2	-	
			SEP 120006	09.10.17	31	222	100		-	92							43.7
38 C	EHLERSKROON (EDMS) BPK	SEP 170162	SEP 120157	NS365	102	84	100	127	93	82	83	92	100	87	91	-	
					0.86	6.6	-0.24	10.9	2.0	9.7	18	-30	9.0	-9	2	-	
			SEP 130008	15.11.17	35	209	93		100	-							40.8


Lot 37A

<p>SEP 170161 SPN Mat. 101</p>	<p>SEP 090086 SPN Mat. 94</p> 	<p>LAR 010315 SPN Mat. 92</p> <p>Elite-Goud</p> <p>SEP 050011 SPN Mat. 110</p> <p>OEK 37 Oud/Kalw. 13/11</p> <p>TKP 368 Gem. SI/Kalf 103/10</p> <p>SEP 040112 SPN Mat. 94</p> <p>SEP 040045 SPN Mat. 108</p> <p>OEK 35 Oud/Kalw. 13/11</p> <p>TKP 370 Gem. SI/Kalf 98/10</p>	<p>RCO 980039 SPN Mat. 65</p> <p>LAR 960272 SPN Mat. 95</p> <p>DNT 960048 SPN Mat. 101</p> <p>SEP 020028 SPN Mat. 98</p> <p>SEP 950056 SPN Mat. 110</p> <p>SEP 010030 SPN Mat. 106</p> <p>SEP 980025 SPN Mat. 104</p> <p>SEP 960015 SPN Mat. 120</p>
---	--	--	--


Lot 37B

<p>SEP 170062 SPN Mat. 99</p>	<p>SEP 110053 SPN Mat. 102</p> 	<p>JMP 050076 SPN Mat. 95</p> <p>Goud</p> <p>SEP 040062 SPN Mat. 121</p> <p>OEK 35 Oud/Kalw. 13/11</p> <p>TKP 374 Gem. SI/Kalf 100/10</p> <p>LAR 010315 SPN Mat. 92</p> <p>SEP 980062 SPN Mat. 114</p> <p>OEK 37 Oud/Kalw. 13/9</p> <p>TKP 457 Gem. SI/Kalf 102/9</p>	<p>MMJ 000174 SPN Mat. 101</p> <p>JMP 010184 SPN Mat. 106</p> <p>SEP 950056 SPN Mat. 110</p> <p>SEP 980100 SPN Mat. 128</p> <p>RCO 980039 SPN Mat. 65</p> <p>LAR 960272 SPN Mat. 95</p> <p>SEP 940121 SPN Mat. 120</p> <p>SEP 950106 SPN Mat. 98</p>
--	---	---	--


Lot 37C

<p>SEP 170086 SPN Mat. 112</p>	<p>SEP 110082 SPN Mat. 111</p> 	<p>HJB 040215 SPN Mat. 104</p> <p>Elite-Goud</p> <p>SEP 050098 SPN Mat. 127</p> <p>OEK 34 Oud/Kalw. 13/11</p> <p>TKP 371 Gem. SI/Kalf 102/11</p> <p>SEP 090086 SPN Mat. 94</p> <p>Elite-Goud</p> <p>SEP 030017 SPN Mat. 124</p> <p>OEK 35 Oud/Kalw. 12/10</p> <p>TKP 374 Gem. SI/Kalf 103/10</p>	<p>TBR 910704 SPN Mat. 77</p> <p>RCO 000061 SPN Mat. 98</p> <p>SEP 010066 SPN Mat. 113</p> <p>SEP 950167 SPN Mat. 123</p> <p>LAR 010315 SPN Mat. 92</p> <p>SEP 050011 SPN Mat. 110</p> <p>SEP 950048 SPN Mat. 126</p> <p>SEP 980088 SPN Mat. 118</p>
---	---	--	--


Lot 38A

<p>SEP 170085 SPN Mat. 119</p>	<p>SEP 120157 SPN Mat. 114</p> 	<p>HOT 070099 SPN Mat. 113</p> <p>Brons</p> <p>SEP 040080 SPN Mat. 117</p> <p>OEK 35 Oud/Kalw. 10/7</p> <p>TKP 433 Gem. SI/Kalf 104/7</p> <p>SEP 090097 SPN Mat. 131</p> <p>SEP 070058 SPN Mat. 125</p> <p>OEK 35 Oud/Kalw. 10/8</p> <p>TKP 369 Gem. SI/Kalf 104/7</p>	<p>DB 000045 SPN Mat. 128</p> <p>DB 010021 SPN Mat. 110</p> <p>SEP 980025 SPN Mat. 104</p> <p>SEP 960022 SPN Mat. 88</p> <p>HJB 040215 SPN Mat. 104</p> <p>SEP 040044 SPN Mat. 155</p> <p>JHO 020093 SPN Mat. 102</p> <p>SEP 950067 SPN Mat. 145</p>
---	---	--	--

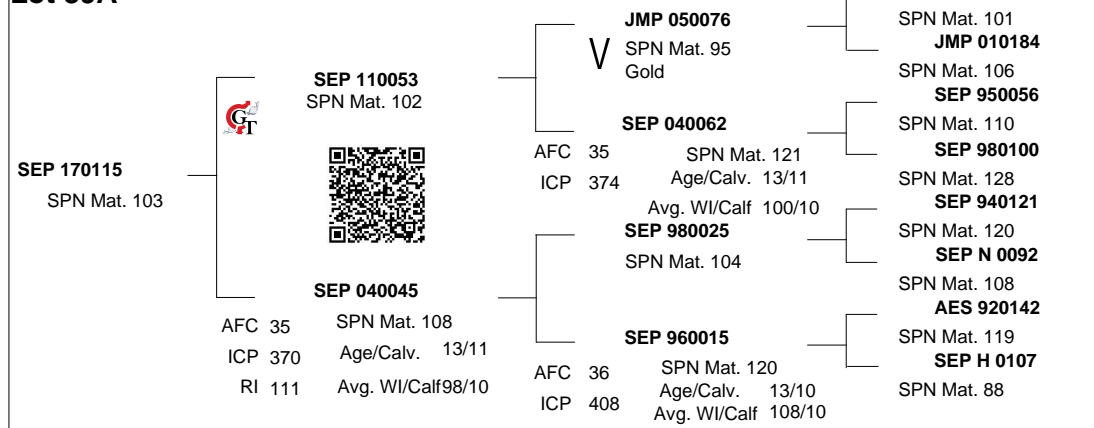
Lot 38B

<p>SEP 170112 SPN Mat. 115</p>	<p>SEP 120157 SPN Mat. 114</p> 	<p>HOT 070099 SPN Mat. 113</p> <p>Brons</p> <p>SEP 040080 SPN Mat. 117</p> <p>OEK 35 Oud/Kalw. 10/7</p> <p>TKP 433 Gem. SI/Kalf 104/7</p> <p>SEP 080065 SPN Mat. 114</p> <p>SEP 090109 SPN Mat. 94</p> <p>OEK 34 Oud/Kalw. 5/3</p> <p>TKP 386 Gem. SI/Kalf 89/3</p>	<p>DB 000045 SPN Mat. 128</p> <p>DB 010021 SPN Mat. 110</p> <p>SEP 980025 SPN Mat. 104</p> <p>SEP 960022 SPN Mat. 88</p> <p>HJB 040052 SPN Mat. 94</p> <p>SEP 040033 SPN Mat. 120</p> <p>SEP 040112 SPN Mat. 94</p> <p>SEP 010081 SPN Mat. 106</p>
---	---	---	--

Lot 38C

<p>SEP 170162 SPN Mat. 127</p>	<p>SEP 120157 SPN Mat. 114</p> 	<p>HOT 070099 SPN Mat. 113</p> <p>Brons</p> <p>SEP 040080 SPN Mat. 117</p> <p>OEK 35 Oud/Kalw. 10/7</p> <p>TKP 433 Gem. SI/Kalf 104/7</p> <p>SEP 090097 SPN Mat. 131</p> <p>SEP 100050 SPN Mat. 111</p> <p>OEK 35 Oud/Kalw. 6/4</p> <p>TKP 378 Gem. SI/Kalf 90/4</p>	<p>DB 000045 SPN Mat. 128</p> <p>DB 010021 SPN Mat. 110</p> <p>SEP 980025 SPN Mat. 104</p> <p>SEP 960022 SPN Mat. 88</p> <p>HJB 040215 SPN Mat. 104</p> <p>SEP 040044 SPN Mat. 155</p> <p>SEP 060106 SPN Mat. 127</p> <p>SEP 060014 SPN Mat. 114</p>
---	---	--	--

Lot 39A



Lot 39B

